



Temperature-sensor for mixer

With build-in 4-20mA transmitter

- Pressure tested for 20 bar
- Withstands vacuum
- Protection class IP65
- Housing in Teflon type PTFE
- Sensor surface in stainless steel (AISI 316)
- Pt100 DIN B element (DIN norm IEC 751)
- Temperature range: -20°C to +150°C
- Head type NS in PPO fitted with 4-20mA transmitter

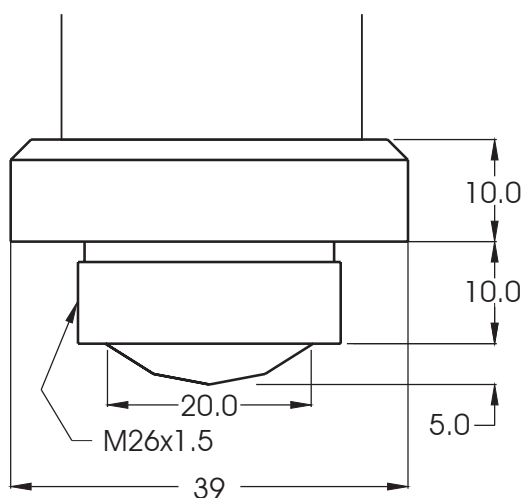


Part#: 949960999980

The sensor is intended to be mounted in the side or bottom of a cooking/mixing tub. Suitable at wall thickness up to 10mm and is mounted in an M26 x 1,5 hole.

The curved surface prevent grease or other heat insulating material from obscuring the measuring.

The sensor is fitted with an 4-20mA temperature transmitter in the head.



as Jensen Electric

Gisselfeldvej 12 - DK-2665 Vallensbæk Str.

Tlf: 4353 0222 - Fax: 4353 0797 - www.jensenelectric.dk