

# HEAD MOUNTING TRANSMITTER

# ALM42

## 2-wire head mounting transmitter

### ALM42

- Analogue transmitter
- Free scalable
- High accuracy (Typical 0.2%)
- Rugged epoxy coated housing
- Temperature linear output (Pt100 version)
- 5 Year warranty



## Specifications

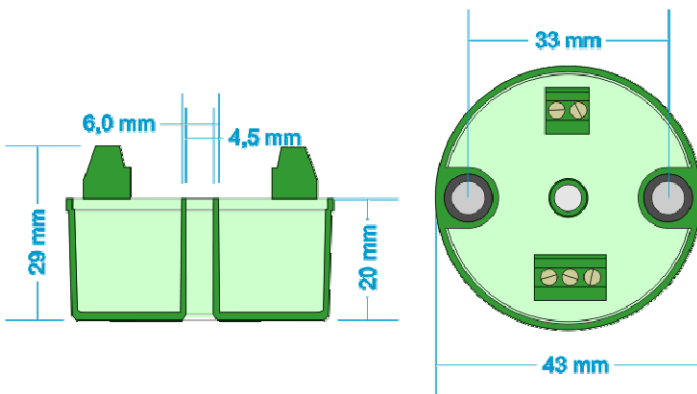
Power supply	14 – 40 VDC
Polarity protected	Yes
Power supply effect	0.002%/V
Output	4 – 20 mA
Load capability	(V[bat] – 14 V) / 20 mA
Sensor burn out	Upscale (max. 35 mA)
Zero drift	± 0.025%/°C
Span drift	± 0.010%/°C
Ambient Operating Temp.	-20...+80°C
Ingress Protection	IP30
Storage Temperature	-40...+100°C
Housing Material	Zinc Alloy (ZAMAK 5) epoxy coated
Housing Dimension Dia. x H	43 mm x 29 mm (1.70" x 1.14")
<b>Pt100</b>	
Range	-50 to +800°C
Span adjustment Pt100	50 to 800°C
Zero adjustment Pt100	-50 to +50°C
Linearization	0.1%
Sensor lead effect	0.03°C/Ohm
Max. sensor line resistance	250 Ohm
<b>Thermocouple</b>	
Range T/C K	0 to 1200°C
Range T/C J	0 to 900°C
Range T/C T	0 to 400°C
Zero adjustment T/C	-25 to +50°C
Span adjustment T/C	T/C K: 150 to 1200°C T/C J: 150 to 600°C T/C T: 150 to 400°C
Cold junction drift	0.03°C/°C
Max. sensor line resistance	10,000 Ohm
<b>mV</b>	
Range	0 to 160 mV
Minimum span	10 mV

## Order information

### Specify model:

ALM42-R	Input Pt100
ALM42-T-K	Input T/C K
ALM42-T-J	Input T/C J
ALM42-T-T	Input T/C T
ALM42-mV	Input mV

## Dimensions



## Sensor ranges

Sensor type	Temp. Min. °C	Temp. Max. °C	Span Min. °C
Pt100 IEC751	-50	800	50
K (NiCr-Ni)	0	1200	150
J (Fe-CuNi)	0	900	150
T (Cu-CuNi)	0	400	150

Sensor type	mV Min.	mV Max.	mV Span Min.
mV	0	160	10