



## HEAD MOUNTING TRANSMITTER

## ALM43-R

### 2-wire head mounting transmitter

### ALM43-R

- Analogue transmitter
- Pt100 (RTD) input
- Fixed zero
- Easy to scale
- High accuracy (Typical 0.25%)
- Rugged epoxy coated housing
- Temperature linear output
- 5 Year warranty



## Specifications

Input	Pt100 (RTD) 3-wire
Power supply	14 – 40 VDC
Polarity protected	Yes
Output	4 – 20 mA
Sensor burn out	Upscale (max. 35 mA)
Accuracy	0.2% of scale or 0.2°C
Range	0 to +800°C
Zero adjustment	-20 to +20°C
Span adjustment	50 to 800°C
Load capability	(V[bat] – 14 V) / 20 mA
Linearization	0.1%
Sensor lead effect	0.03°C/Ohm
Ambient Operating Temp.	-20...+70°C
Max. sensor line resistance	250 Ohm
Storage Temperature	-40...+100°C
Ingress Protection	IP30
Housing Material	Zinc Alloy (ZAMAK 5) epoxy coated
Housing Dimension Dia. X H	43 mm x 29 mm (1.70" x 1.14")

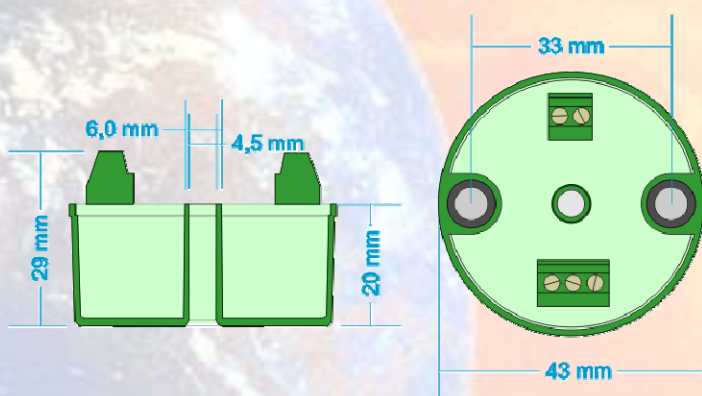
## Order information

### Specify model:

ALM43-R

Input Pt100

## Dimensions



## Sensor ranges

Sensor type	Temp. Min. °C	Temp. Max. °C	Span Min. °C
Pt100 IEC751	0	800	50



**S-Products**

[www.s-products.com](http://www.s-products.com)