








Current transformers for low voltage network - ACCURACY

Selection table

PASSING CABLE/BUSBARS PRIMARY TRANSFORMERS																																
																																
Model	TA327		TA432			TAS65						TAS84						TAS102					TAS127					TAS127B				
Cat. Nos.	TA327...S		TA432...S			(a) TASL...S (b) TASL...3S						(a) TASO...S (b) TASO...3S						(a) TAMP...S (b) TAMP...3S					(a) TASR...S (b) TASR...3S					(a) TASS...S (b) TASS...3S				
Technical notes	NT829		NT830			NT831						NT832						NT833					NT834					NT835				
Width (mm)	56		70			90 (a) 94 (b)						96 (a) 116 (b)						98 (a) 129 (b)					99 (a) 160 (b)					125 (a) 160 (b)				
Height (mm)	80		90			94 (a) 90 (b)						116 (a) 96 (b)						129 (a) 98 (b)					160 (a) 99 (b)					160 (a) 125 (b)				
Cable (mm)	Ø27		Ø32																													
Window (mm)	25.5x15.5 32.5x10.5		25.5x25.5 32.5x20.5 40.5x10.5			32x65 (a) 65x32 (b)						34x84 (a) 84x34 (b)						38x102 (a) 102x38 (b)					38x127 (a) 127x38 (b)					54x127 (a) 127x54 (b)				
Primary current	VA			VA			VA			VA			VA			VA			VA			VA			VA			VA				
	cl. 0.2s	cl. 0.2	cl. 0.5s	cl. 0.2s	cl. 0.2	cl. 0.5s	cl. 0.2s	cl. 0.2	cl. 0.5s	cl. 0.2s	cl. 0.2	cl. 0.5s	cl. 0.2s	cl. 0.2	cl. 0.5s	cl. 0.2s	cl. 0.2	cl. 0.5s	cl. 0.2s	cl. 0.2	cl. 0.5s	cl. 0.2s	cl. 0.2	cl. 0.5s	cl. 0.2s	cl. 0.2	cl. 0.5s					
150A	1	1.5	2																													
160A	1	1.5	2																													
200A	2	2.5	3	1	1.5	2,5																										
250A	2	2.5	3	1	1.5	2,5																										
300A	2.5	4	5	1.5	2	3																										
400A	4	5	8	1.5	3	4																										
500A	6	7	10	2.5	5	5																										
600A	8	10	15	3	6	7	1	3	5																							
700A				4	7	7	1,5	4	7,5																							
750A				4	7	8	2	5	7,5																							
800A				5	8	10	2,5	7,5	10	4	6	7																				
1000A				6	10	12	10	12	15	6	7	8	5	7,5	10	4	6	8														
1200A							12	15	20	10	12	14	5	7,5	10	5	7,5	10														
1250A							12	15	20	10	12	14	5	7,5	10	5	7,5	10														
1500A							12	15	20	15	17,5	20	7,5	10	15	7,5	10	12,5	7,5	10	12,5											
1600A							12	15	20	15	17,5	20	7,5	10	15	7,5	10	12,5	7,5	10	12,5											
2000A							12	15	20	15	20	25	10	15	20	10	15	20	10	12,5	15											
2500A													15	20	25	15	20	25	12,5	15	20											
3000A													20	25	30	20	25	30	15	20	25											
3200A																			15	20	25											
4000A																			20	25	30											

WINDING PRIMARY TRANSFORMERS						
						
Model	TAQ6M		TAQ6L		TAQ10	
Cat. Nos.	TAQ6M...S		TAQ6L...S		TAQC...S	
Technical notes	NT885		NT886		NT826	
Type	Winding primary		Winding primary		Winding primary	
Width (mm)	56		56		85	
Height (mm)	50		80		102.5	
Primary current	VA		VA		VA	
	cl. 0.2	cl. 0.5s	cl. 0.2s	cl. 0.5s	cl. 0.2	cl. 0.5s
5A	3	5			5	10
10A	3	5			5	10
15A	3	5			5	10
20A	3	5			5	10
25A	3	5			5	10
30A	3	5			5	10
40A	3	5			5	10
50A			3	5	5	10
60A			3	5	5	10
70A					5	10
75A			3	5	5	10
80A			3	5	5	10
100A					5	10
120A					5	10
125A					5	10
150A					5	10

Current transformers - ACCURACY

Winding primary single-phase current transformer



TAQ6L



TAQ6M



TAQ10

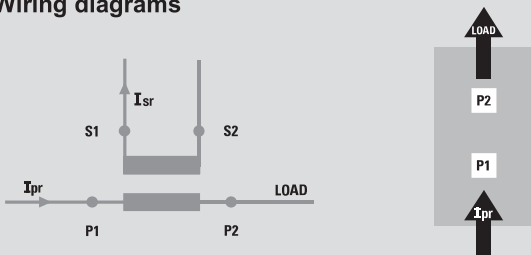
Cat. Nos.		TAQ6M		Primary current (A)	Accuracy class VA	
Isr 5A	Isr 1A	cl 0.2	cl. 0.5s			
TAQ6M50A500S	TAQ6M10A500S	3	5	5A		
TAQ6M50B100S	TAQ6M10B100S	3	5	10A		
TAQ6M50B150S	TAQ6M10B150S	3	5	15A		
TAQ6M50B200S	TAQ6M10B200S	3	5	20A		
TAQ6M50B250S	TAQ6M10B250S	3	5	25A		
TAQ6M50B300S	TAQ6M10B300S	3	5	30A		
TAQ6M50B400S	TAQ6M10B400S	3	5	40A		

Cat. Nos.		TAQ6L		Primary current (A)	Accuracy class VA	
Isr 5A	Isr 1A	cl 0.2	cl. 0.5s			
TAQ6L50B500S	TAQ6L10B500S	3	5	50A		
TAQ6L50B600S	TAQ6L10B600S	3	5	60A		
TAQ6L50B750S	TAQ6L10B750S	3	5	75A		
TAQ6L50B800S	TAQ6L10B800S	3	5	80A		

Cat. Nos.		TAQ10		Primary current (A)	Accuracy class VA	
Isr 5A	Isr 1A	cl 0.2	cl. 0.5s			
TAQC50A500S	TAQC10A500S	5	10	5A		
TAQC50B100S	TAQC10B100S	5	10	10A		
TAQC50B150S	TAQC10B150S	5	10	15A		
TAQC50B200S	TAQC10B200S	5	10	20A		
TAQC50B250S	TAQC10B250S	5	10	25A		
TAQC50B300S	TAQC10B300S	5	10	30A		
TAQC50B400S	TAQC10B400S	5	10	40A		
TAQC50B500S	TAQC10B500S	5	10	50A		
TAQC50B600S	TAQC10B600S	5	10	60A		
TAQC50B700S	TAQC10B700S	5	10	70A		
TAQC50B750S	TAQC10B750S	5	10	75A		
TAQC50B800S	TAQC10B800S	5	10	80A		
TAQC50C100S	TAQC10C100S	5	10	100A		
TAQC50C120S	TAQC10C120S	5	10	120A		
TAQC50C150S	TAQC10C150S	5	10	150A		

Cat. Nos.	Accessories
ATACOP03	Description Accessory sealable terminal cover for TAQ10

Wiring diagrams



Technical features

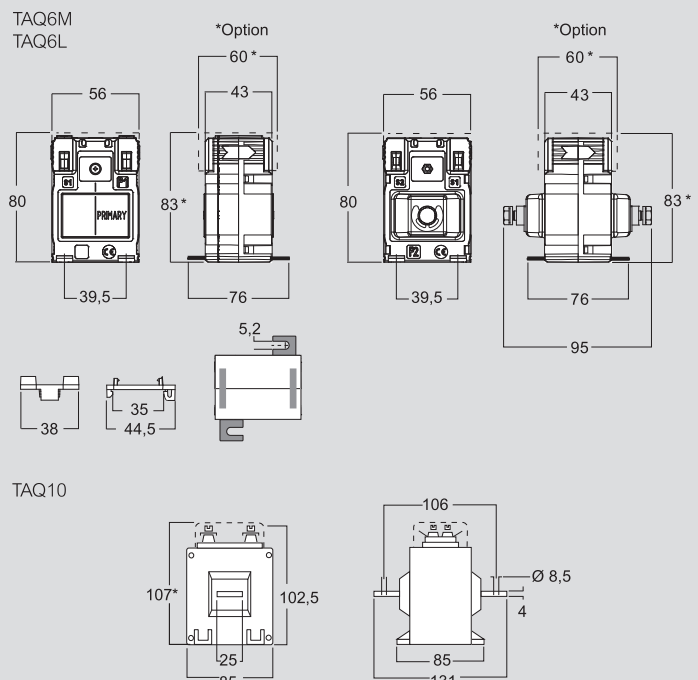
MODEL	TAQ6M	TAQ6L	TAQ10
TECHNICAL NOTES	NT885	NT886	NT826
SPECIFICATIONS			
Reference specification		EN/IEC 61869-1, 61869-2	
Rated primary current I _{pr} :	5...40A	50...80A	5...300A
Rated frequency:	50Hz		
Working frequency:	47...63Hz		
Rated continuous thermal current I _{cth} :	100% I _{pr}		
Rated short-time thermal current I _{th} :	< 60I _{pr}		
Rated dynamic current I _{dyn} :	2,5I _{th}		
Instrument security factor (FS):	≤ 5		
Rated secondary current I _{sr} :	5 - 1A		
Max. power dissipation	≤ 4,3W	≤ 4,3W	≤ 2,5W
Allowed max cable or busbar temp.:	125°C		

INSULATION REQUIREMENTS	
Type	Dry transformer, air insulation
Highest voltage for equipment U _m :	0.72kV r.m.s.
Rated insulation level:	3kV r.m.s. 50Hz/1min
Class of insulation (EN/IEC 61869-1, 61869-2):	B
ENVIRONMENTAL CONDITIONS	
Nominal temperature range:	-25...50°C
Limit temperature range for storage:	-40...85°C
Relative humidity:	≤ 85%
Suitable for tropical climates	yes

CONNECTION			
Primary winding:	2 screw terminals (max. cable section 6mm ² , 10mm ² cable with lag)	Tightening by nut M6	built-in central bar (25x4mm)
Secondary winding	2 screw terminals (max. cable section 6mm ² , 10mm ² cable with lag)	4 screw terminals (max. cable section 6mm ²) + 2 fast-ons (4,8x0,8mm)	double screw M4

MECHANICAL FEATURES			
Housing material:	self extinguishing polycarbonate		
Protection degree (EN/IEC 60529):	IP40 housing - IP20 terminals	IP20 housing, IP00 terminals	
Mounting:	snap-on 35mm rail, screw type for wall mounting		
Weight:	250 gr	300 gr	700 gr

Dimensions



Current transformers - ACCURACY

Cable/passing bar single-phase current transformer



TA327



TA432

Cat. Nos.

TA327

Passing cable window/bar \varnothing 27mm - 25,5x15,5mm - 32,5x10,5mm

Isr 5A	Isr 1A	Primary current (A)	Accuracy class VA		
			cl. 0.2s	cl. 0.2	cl. 0.5s
TA32750C150S	TA32710C150S	150	1	1.5	2
TA32750C160S	TA32710C160S	160	1	1.5	2
TA32750C200S	TA32710C200S	200	2	2.5	3
TA32750C250S	TA32710C250S	250	2	2.5	3
TA32750C300S	TA32710C300S	300	2.5	4	5
TA32750C400S	TA32710C400S	400	4	5	8
TA32750C500S	TA32710C500S	500	6	7	10
TA32750C600S	TA32710C600S	600	8	10	15

Cat. Nos.

TA432

Passing cable window/bar \varnothing 32mm - 25,5x25,5mm - 32,5x20,5mm - 40,5x10,5mm

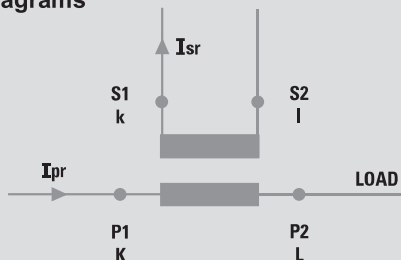
Isr 5A	Isr 1A	Primary current (A)	Accuracy class VA		
			cl. 0.2s	cl. 0.2	cl. 0.5s
TA43250C200S	TA43210C200S	200A	1	1.5	2.5
TA43250C250S	TA43210C250S	250A	1	1.5	2.5
TA43250C300S	TA43210C300S	300A	1.5	2	3
TA43250C400S	TA43210C400S	400A	1.5	3	4
TA43250C500S	TA43210C500S	500A	2.5	5	5
TA43250C600S	TA43210C600S	600A	3	6	7
TA43250C700S	TA43210C700S	700A	4	7	7
TA43250C750S	TA43210C750S	750A	4	7	8
TA43250C800S	TA43210C800S	800A	5	8	10
TA43250D100S	TA43210D100S	1000A	6	10	12

Cat. Nos.

Accessories

Cat. Nos.	Description
ATACOP13	Accessory sealable terminal cover

Wiring diagrams

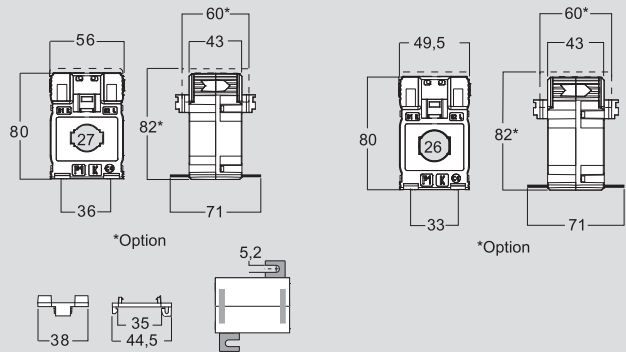


Technical features

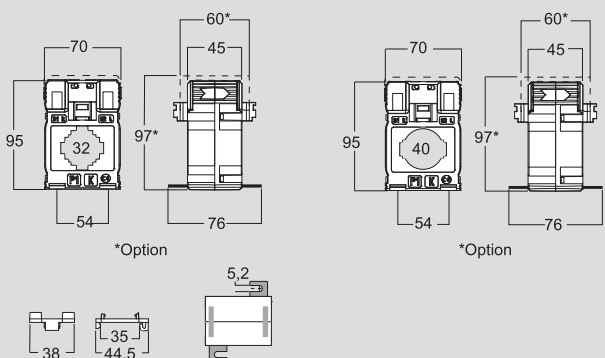
MODEL	TA327	TA432
TECHNICAL NOTES	NT812	NT830
SPECIFICATIONS		
Reference specification	EN/IEC 61869-1, 61869-2	
Rated primary current Ipr:	150...600A	200...1000A
Rated frequency:	50Hz	
Working frequency:	47...63Hz	
Rated continuous thermal current Icth:	100% Ipr	
Rated short-time thermal current Ith:	< 60Ipr	
Rated dynamic current Idyn :	2,5Ith	
Instrument security factor (FS):	≤ 5	
Rated secondary current Isr :	5 - 1A	
Max. power dissipation	≤ 7W at Icth	≤ 9W at Icth
Allowed max cable or busbar temperature:	125°C	
INSULATION REQUIREMENTS		
Type	Dry transformer, air insulation	
Highest voltage for equipment Um:	0.72kV r.m.s.	
Rated insulation level:	3kV r.m.s. 50Hz/1min	
Class of insulation (EN/IEC 61869-1, 61869-2):	B	
ENVIRONMENTAL CONDITIONS		
Nominal temperature range:	-25...50°C	
Limit temperature range for storage:	-40...85°C	
Relative humidity:	≤ 85%	
Suitable for tropical climates	yes	
CONNECTION		
Primary winding:	passing cable/bus bar primary	
Secondary winding	4 screw terminals (max. cable section 6mm ²)+ 2 fast-ons (4,8x0,8mm)	
MECHANICAL FEATURES		
Housing material:	self extinguishing polycarbonate	
Protection degree (EN/IEC 60529):	IP40 housing - IP20 terminals	
Mounting:	snap-on 35mm rail, screw type for wall mounting	
Weight:	260 gr	420 gr

Dimensions

TA327



TA432



Current transformers - ACCURACY

Cable/passing bar single-phase current transformer



TAS65

TAS84

Cat. Nos. **TAS65**

Bars in VERTICAL		Bars in HORIZONTAL		Primary current (A)	Accuracy class VA		
Isr 5A	Isr 1A	Isr 5A	Isr 1A		cl. 0.2s	cl. 0.2	cl. 0.5s
TASL50C600S	TASL10C600S	TASL50C6003S	TASL10C6003S	600A	1	3	5
TASL50C700S	TASL10C700S	TASL50C7003S	TASL10C7003S	700A	1.5	4	7.5
TASL50C750S	TASL10C750S	TASL50C7503S	TASL10C7503S	750A	2	5	7.5
TASL50C800S	TASL10C800S	TASL50C8003S	TASL10C8003S	800A	2.5	7.5	10
TASL50D100S	TASL10D100S	TASL50D1003S	TASL10D1003S	1000A	10	12	15
TASL50D120S	TASL10D120S	TASL50D1203S	TASL10D1203S	1200A	12	15	20
TASL50D125S	TASL10D125S	TASL50D1253S	TASL10D1253S	1250A	12	15	20
TASL50D150S	TASL10D150S	TASL50D1503S	TASL10D1503S	1500A	12	15	20
TASL50D160S	TASL10D160S	TASL50D1603S	TASL10D1603S	1600A	12	15	20
TASL50D200S	TASL10D200S	TASL50D2003S	TASL10D2003S	2000A	12	15	20

Passing cable window/bar 32x65mm and 65x32mm - long side terminals

Cat. Nos. **TAS84**

Bars in VERTICAL		Bars in HORIZONTAL		Primary current (A)	Accuracy class VA		
Isr 5A	Isr 1A	Isr 5A	Isr 1A		cl. 0.2s	cl. 0.2	cl. 0.5s
TASO50C800S	TASO10C800S	TASO50C8003S	TASO10C8003S	800A	4	6	7
TASO50D100S	TASO10D100S	TASO50D1003S	TASO10D1003S	1000A	6	7	8
TASO50D120S	TASO10D120S	TASO50D1203S	TASO10D1203S	1200A	10	12	14
TASO50D125S	TASO10D125S	TASO50D1253S	TASO10D1253S	1250A	10	12	14
TASO50D150S	TASO10D150S	TASO50D1503S	TASO10D1503S	1500A	15	17.5	20
TASO50D160S	TASO10D160S	TASO50D1603S	TASO10D1603S	1600A	15	17.5	20
TASO50D200S	TASO10D200S	TASO50D2003S	TASO10D2003S	2000A	15	20	25
TASO50D250S	TASO10D250S	TASO50D2503S	TASO10D2503S	2500A	20	25	30

Passing cable window/bar 34x84mm and 84x34mm - long side terminals

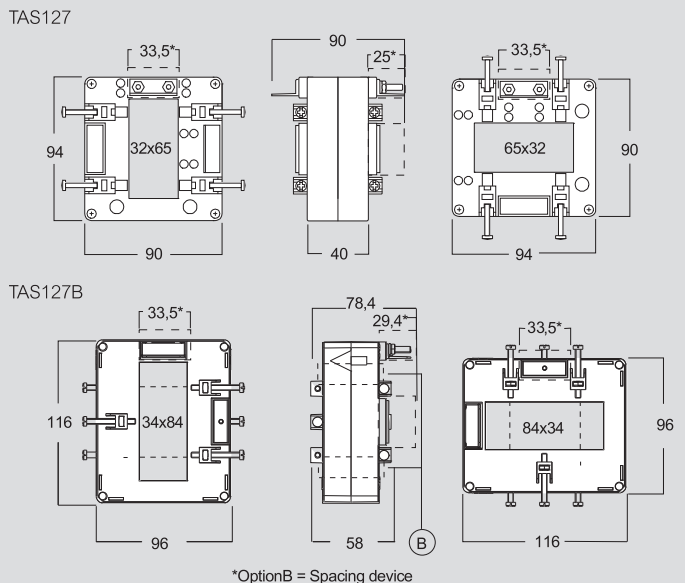
Cat. Nos. **Accessories**

Cat. Nos.	Description
ATACOP04	Accessory sealable terminal cover
ATADIS01	Spacing device for bars of 60 mm (for TAS84)
ATADIS03	Spacing device for bars of 50 mm (for TAS65)
ATAFIS01	2 metallic feet for wall mounting (for TAS65)

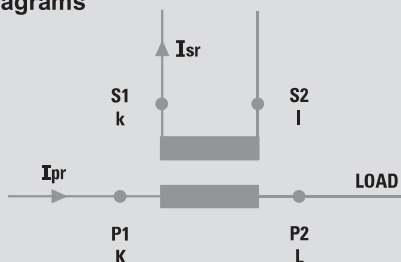
Technical features

MODEL	TAS65	TAS84
TECHNICAL NOTES	NT831	NT832
SPECIFICATIONS		
Reference specification	EN/IEC 61869-1, 61869-2	
Rated primary current I _{pr} :	600...2000A	800...2500A
Rated frequency:	50Hz	
Working frequency:	47...63Hz	
Rated continuous thermal current I _{cth} :	100% I _{pr}	
Rated short-time thermal current I _{th} :	< 60I _{pr}	
Rated dynamic current I _{dyn} :	2,5I _{th}	
Instrument security factor (FS):	≤ 5	
Rated secondary current I _s :	5 - 1A	
Max. power dissipation	≤ 20W	≤ 19W
Allowed max cable or busbar temperature:	125°C	
INSULATION REQUIREMENTS		
Type	Dry transformer, air insulation	
Highest voltage for equipment U _m :	0.72kV r.m.s.	
Rated insulation level:	3kV r.m.s. 50Hz/1min	
Class of insulation (EN/IEC 61869-1, 61869-2):	B	
ENVIRONMENTAL CONDITIONS		
Nominal temperature range:	-25...50°C	
Limit temperature range for storage:	-40...85°C	
Relative humidity:	≤ 85%	
Suitable for tropical climates	yes	
CONNECTION		
Primary winding:	Passing bus bar	
Secondary winding	tightening by nut M4	
MECHANICAL FEATURES		
Housing material:	self extinguishing polycarbonate	
Protection degree (EN/IEC 60529):	P40 housing - IP00 terminals (IP20 with sealable terminal cover)	
Mounting:	screw type on bar	
Weight:	750 gr	750 gr

Dimensions

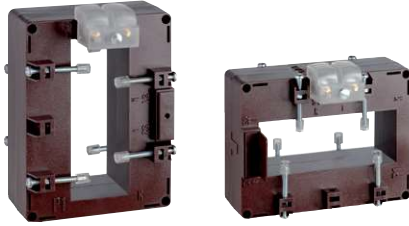


Wiring diagrams



Current transformers - ACCURACY

Cable/passing bar single-phase current transformer



TAS102

Cat. Nos.

TAS102

FIXING ON VERTICAL BARS
Single-phase current transformer
Passing cable window/bar 38x102mm and
102x38mm - long side terminals

Isr 5A	Isr 1A	Primary current (A)	Accuracy class VA		
			cl. 0.2s	cl. 0.2	cl. 0.5s
TAMP50D100S	TAMP10D100S	1000A	5	7.5	10
TAMP50D120S	TAMP10D120S	1200A	5	7.5	10
TAMP50D125S	TAMP10D125S	1250A	5	7.5	10
TAMP50D150S	TAMP10D150S	1500A	7.5	10	15
TAMP50D160S	TAMP10D160S	1600A	7.5	10	15
TAMP50D200S	TAMP10D200S	2000A	10	15	20
TAMP50D250S	TAMP10D250S	2500A	15	20	25
TAMP50D300S	TAMP10D300S	3000A	20	25	30

Cat. Nos.

TAS102

FIXING ON HORIZONTAL BARS
(terminals on long side)
Single-phase current transformer
Passing cable window/bar 38x102mm and
102x38mm - long side terminals

Isr 5A	Isr 1A	Primary current (A)	Accuracy class VA		
			cl. 0.2s	cl. 0.2	cl. 0.5s
TAMP50D1003S	TAMP10D1003S	1000A	5	7.5	10
TAMP50D1203S	TAMP10D1203S	1200A	5	7.5	10
TAMP50D1253S	TAMP10D1253S	1250A	5	7.5	10
TAMP50D1503S	TAMP10D1503S	1500A	7.5	10	15
TAMP50D1603S	TAMP10D1603S	1600A	7.5	10	15
TAMP50D2003S	TAMP10D2003S	2000A	10	15	20
TAMP50D2503S	TAMP10D2503S	2500A	15	20	25
TAMP50D3003S	TAMP10D3003S	3000A	20	25	30

Cat. Nos.

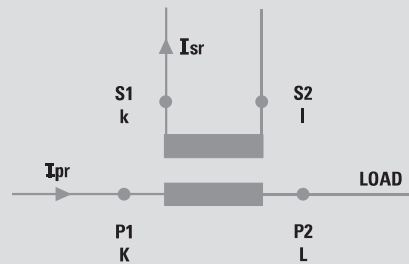
Accessories

Cat. Nos.	Description
ATACOP04	Accessory sealable terminal cover
ATAFIS01	Screw type for wall mounting

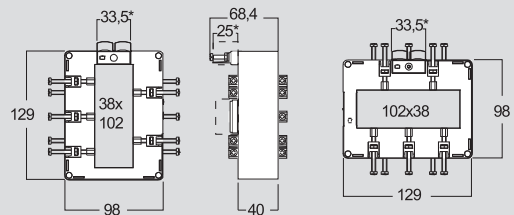
Technical features

MODEL	TAS102
TECHNICAL NOTES	NT833
SPECIFICATIONS	
Reference specification	EN/IEC 61869-1, 61869-2
Rated primary current I _{pr} :	1000...3000A
Rated frequency:	50Hz
Working frequency:	47...63Hz
Rated continuous thermal current I _{cth} :	100% I _{pr}
Rated short-time thermal current I _{th} :	< 60I _{pr}
Rated dynamic current I _{dyn} :	2,5I _{th}
Instrument security factor (FS):	≤ 5
Rated secondary current I _s :	1 - 5A
Max. power dissipation	≤ 25W
The allowed max cable or busbar temp is:	125°C
INSULATION REQUIREMENTS	
Type	Dry transformer, air insulation
Highest voltage for equipment U _m :	0.72kV r.m.s.
Rated insulation level:	3kV r.m.s. 50Hz/1min
Class of insulation (EN/IEC 61869-1, 61869-2):	B
ENVIRONMENTAL CONDITIONS	
Nominal temperature range:	-25...50°C
Limit temperature range for storage:	-40...85°C
Relative humidity:	≤ 85%
Suitable for tropical climates	yes
CONNECTION	
Primary winding:	Passing bus bar
Secondary winding	tightening by nut M4
MECHANICAL FEATURES	
Housing material:	self extinguishing polycarbonate
Protection degree (EN/IEC 60529):	P40 housing - IP00 terminals (IP20 with sealable terminal cover)
Mounting:	screw type on bar
Weight:	1000 gr

Wiring diagrams

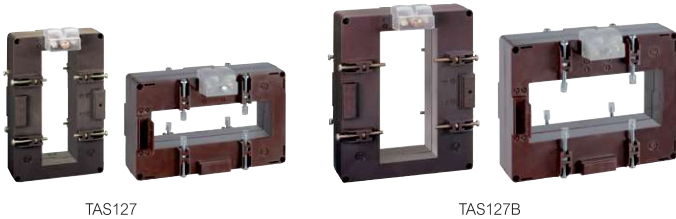


Dimensions



Current transformers - ACCURACY

Cable/passing bar single-phase current transformer



TAS127

TAS127B

Cat. Nos.			
Bars in VERTICAL		Bars in HORIZONTAL	
Isr 5A	Isr 1A	Isr 5A	Isr 1A
TASR50D100S	TASR10D100S	TASR50D1003S	TASR10D1003S
TASR50D120S	TASR10D120S	TASR50D1203S	TASR10D1203S
TASR50D125S	TASR10D125S	TASR50D1253S	TASR10D1253S
TASR50D150S	TASR10D150S	TASR50D1503S	TASR10D1503S
TASR50D160S	TASR10D160S	TASR50D1603S	TASR10D1603S
TASR50D200S	TASR10D200S	TASR50D2003S	TASR10D2003S
TASR50D250S	TASR10D250S	TASR50D2503S	TASR10D2503S
TASR50D300S	TASR10D300S	TASR50D3003S	TASR10D3003S

TAS127

Passing cable window/bar 38x127mm and 127x38mm - long side terminals

Primary current (A)	Accuracy class VA		
	cl. 0.2s	cl. 0.2	cl. 0.5s
	1000A	4	6
1200A	5	7.5	10
1250A	5	7.5	10
1500A	7.5	10	12.5
1600A	7.5	10	12.5
2000A	10	15	20
2500A	15	20	25
3000A	20	25	30

Cat. Nos.			
Bars in VERTICAL		Bars in HORIZONTAL	
Isr 5A	Isr 1A	Isr 5A	Isr 1A
TASS50D150S	TASS10D150S	TASS50D1503S	TASS10D1503S
TASS50D160S	TASS10D160S	TASS50D1603S	TASS10D1603S
TASS50D200S	TASS10D200S	TASS50D2003S	TASS10D2003S
TASS50D250S	TASS10D250S	TASS50D2503S	TASS10D2503S
TASS50D300S	TASS10D300S	TASS50D3003S	TASS10D3003S
TASS50D320S	TASS10D320S	TASS50D3203S	TASS10D3203S
TASS50D400S	TASS10D400S	TASS50D4003S	TASS10D4003S

TAS127B

Passing cable window/bar 38x127mm and 127x38mm - long side terminals

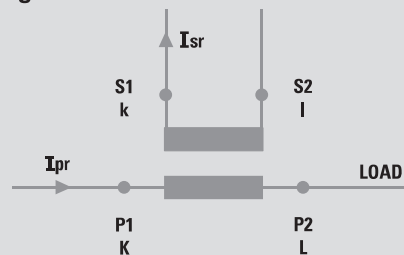
Primary current (A)	Accuracy class VA		
	cl. 0.2s	cl. 0.2	cl. 0.5s
	1500A	7.5	10
1600A	7.5	10	12.5
2000A	10	12.5	15
2500A	12.5	15	20
3000A	15	20	25
3200A	15	20	25
4000A	20	25	30

Cat. Nos.	Accessories
	Description
ATACOP04	Accessory sealable terminal cover
ATADIS02	Spacing device for bars of 100 mm

Technical features

MODEL	TAS127	TAS127B
TECHNICAL NOTES	NT834	NT835
SPECIFICATIONS		
Reference specification	EN/IEC 61869-1, 61869-2	
Rated primary current I _{pr} :	1000...3000A	1500...4000A
Rated frequency:	50Hz	
Working frequency:	47...63Hz	
Rated continuous thermal current I _{cth} :	100% I _{pr}	
Rated short-time thermal current I _{th} :	< 60I _{pr}	
Rated dynamic current I _{dyn} :	2,5I _{th}	
Instrument security factor (FS):	≤ 5	
Rated secondary current I _s :	5 - 1A	
Max. power dissipation	≤ 23W	≤ 23W
Allowed max cable or busbar temperature:	125°C	
INSULATION REQUIREMENTS		
Type	Dry transformer, air insulation	
Highest voltage for equipment U _m :	0.72kV r.m.s.	
Rated insulation level:	3kV r.m.s. 50Hz/1min	
Class of insulation (EN/IEC 61869-1, 61869-2):	B	
ENVIRONMENTAL CONDITIONS		
Nominal temperature range:	-25...50°C	
Limit temperature range for storage:	-40...85°C	
Relative humidity:	≤ 85%	
Suitable for tropical climates	yes	
CONNECTION		
Primary winding:	Passing bus bar	
Secondary winding	tightening by nut M4	
MECHANICAL FEATURES		
Housing material:	self extinguishing polycarbonate	
Protection degree (EN/IEC 60529):	P40 housing - IP00 terminals (IP20 with sealable terminal cover)	
Mounting:	screw type on bar	
Weight:	1500 gr	1300 gr

Wiring diagrams



Dimensions

